

PLUGS

M64-

Plug: **USA type BIPOLAR**

Rated voltage: **125 V**

Rated current: **15 A**

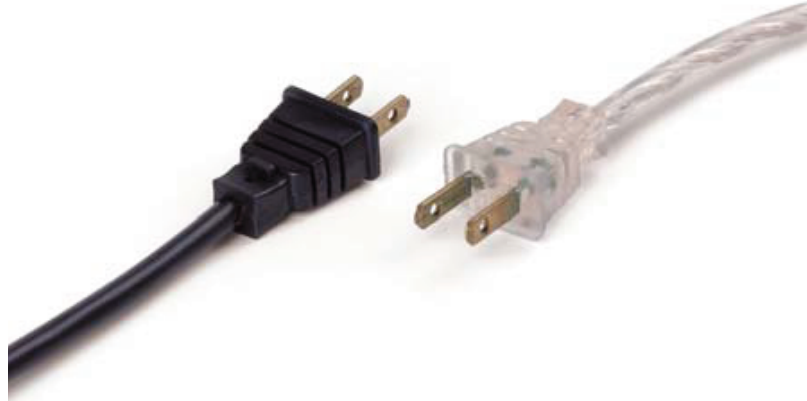
Insulation class: **II**

Type of clamps for cables connection: **CRIMPED CLAMPS**

Cable exit: **AXIAL**

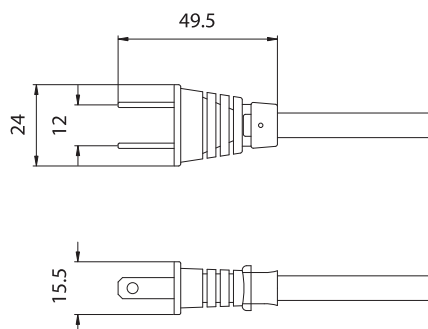
In conformity to the standards:

Approval marks: **(cULus on demand)**



• Table of the cables connected to the plug:

Insulation	Shape	AWG	Temperature	Type	cod./page
PVC TRANSPARENT	flat	2 x 18	T105°C	SPT-2	YD28T (page 9095)
PVC BLACK OR WHITE	flat	2 x 18	T105°C	SPT-2	YD28- (page 9095)
FEP + FEP	flat	2 x 18	T200°C	STYLE 21167	XQ28- (page 9101)



- Body in injected thermoplastic PVC.
Brass contacts.

- Table of the available colours:

T = transparent

B = white

N = black

- Other colours on request.

